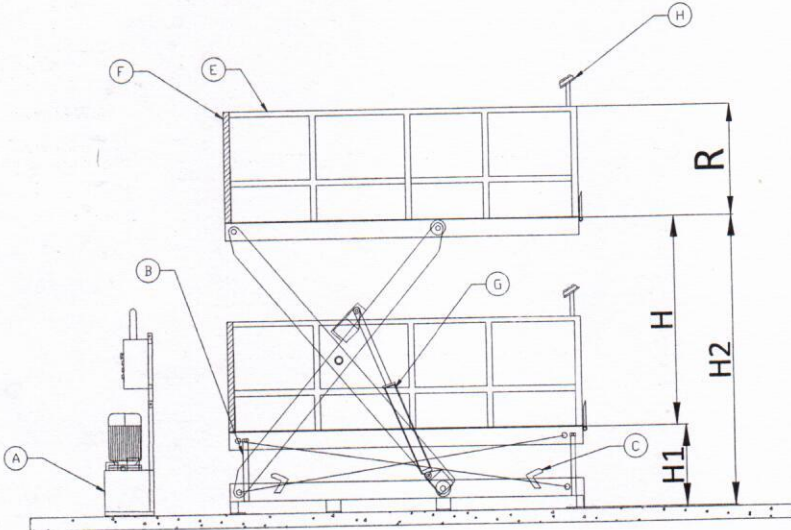
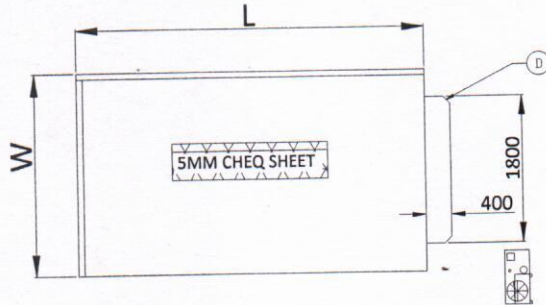


A	7.5 HP AC POWER PACK ( BB )
B	MAINTENANCE STOPPER
C	LIFTING HOOKS
D	1W SIDE MANUAL FLAP (CHEQ SHEET) 5 MMM THK
E	1L SIDE RAILING HT - 900MM ( BOLTED )
F	1W SIDE RAILING HT - 900MM ( BOLTED )
G	LIFTING CYLINDER
H	PENDANT

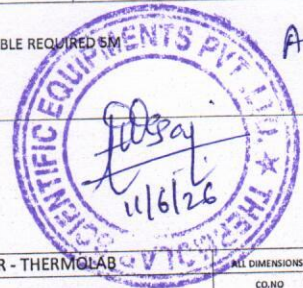


#APPROX 10MM COMPRESSION UNDER LOAD PER MTR TO BE ADJUSTED WITH INCHING MODE OPERATION  
 #THIS IS SCHEMATIC REPRESENTATION ONLY, ACTUAL MACHINE MAY VARY SLIGHTLY.

SR	PARAMETERS	SYMBOL	SPECIFICATION
1	CAPACITY	C	5000
2	PLATFORM LENGTH	L	4500
3	PLATFORM WIDTH	W	2700
4	MOTOR	M	7.5 HP ( BB )
5	MIN HEIGHT	H1	600
6	MAX. HEIGHT	H2	1800
7	LIFTING HEIGHT	H	1200
8	RAILING	R	900
9	NO OF STOPS		INFINITE
10	MOC		M.S, GOLDEN YELLOW
11	LIFT OPERATION MOC		INCHING MODE
12	LOAD CONSIDERED		UNIFORMLY DISTRIBUTED
13	USABLE AREA (APPROX)		4450L X 2650W
14	OVERALL M/C DIMN (APPROX)		4550L X 2800W X 1800HT
15	LIFTING SPEED (APPROX)		1.5-2 m/min
16	HYDRAULIC CYLINDER		JOIST MAKE
17	MOTOR		BHARAT BIJLEE
18	HYDRAULIC PUMP		REXORTH / YUKEN
19	HYDRAULIC HOSES		PARKER / MARKWELL
20	HYDRAULIC BLOCK		VTEK
21	JOINTS (EXCEPT ROLLER) DRY RUNNING BUSH JOINTS ROLLER JOINT-DOUBLE BALL BEARING TYPE		
22	SAFETY FEATURE	HYDRAULIC ELECTRIC	1-HOSE BUST VALVE 1-HOOTER 2-LIMIT SWITCH

NOTE :

HOSE CABLE REQUIRED 5M



CUSTOMER - THERMLAB

ALL DIMENSIONS ARE IN mm.

**JOIST-O-MECH**  
(SINCE-1987)

FLOOR MOUNTED SCISSOR LIFT ( FMSL )

DRAWING NO. MAY26-J20-02-R1

CO. NO	PRODUCT NO.	REV.
DRAWN	S. P	11.06.2026
CHECKED	AJ	11.06.2026
APPROVED	N.H	11.06.2026
		NTS
		R1

SCALE : 1:1